



HIGH-EFFICIENT HARDMOUNT INDUSTRIAL WASHER-EXTRACTORS

IA180
18KG

IA240
24KG

IA280
28KG

FEATURES

- Rigid mounted, normal spin, 100G factor
- Stainless steel top and front panel, black side panels
- Stainless steel drum and tub
- Aries - easy to use microprocessor
- Patented soap hopper
- High capacity water inlets (IA280)
- Large drain valve (Ø 76 mm)
- Easy access to all vital parts from the front
- Large door opening for easy loading & unloading

OPTIONS

- 200G factor execution
- Aries Elite - Fully programmable
- Coin operated timer
- Stainless steel side panels
- USB plug (on the back panel)
- Liquid soap connection
- Liquid soap pumps
- Water recovery kit
- Steam heating version
- 3rd water inlet
- High capacity water inlets (IA180, IA240)



SmartWAVE automatically determines the absorption ability of the load at the start of the cycle, resulting in optimized water levels throughout the cycle.



ERGONOMICAL
CONSTRUCTION



LARGE DOOR
OPENING



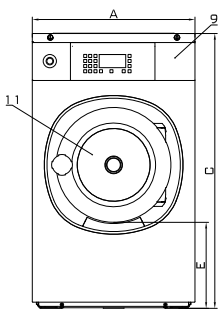
LOW WATER
CONSUMPTION



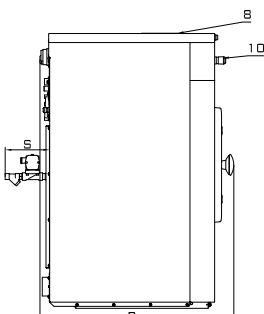
LOW ENERGY
CONSUMPTION

	IA180	IA240	IA280
INNERDRUM			
CAPACITY 10:1 (KG)	18	24	28
CAPACITY 9:1 (KG)	20	27	31
VOLUME (L)	180	240	280
DIAMETER (MM)	750	750	750
DRUM SPEED			
WASH (RPM)	42	42	42
EXTRACTION (RPM)	490 (100G) - 690 (200G)	490 (100G) - 690 (200G)	490 (100G) - 690 (200G)
G-FACTOR	100 (optional 200)	100 (optional 200)	100 (optional 200)
HEATING			
ELECTRICITY (KW)	12	18	22
STEAM (BAR)	1 - 8	1 - 8	1 - 8
HOT WATER (°C)	90	90	90
SOUND PRESSURE LEVEL (DB) (A)	< 65	< 65	< 65
WATER VALVES CONNECTION (BSP)	3/4"	3/4"	3/4"
WATER PRESSURE (KPA)	100-800	100-800	100-800
REC. WATER PRESSURE (KPA)	300-500	300-500	300-500
WATER INLET (L/MIN)	20	20	20
DRAIN VALVE OUTER (MM)	Ø 76	Ø 76	Ø 76
Flow Amount With Drain Valve (L/MIN)	210	210	210
STEAM VALVE CONNECTION (BSP)	1/2"	1/2"	1/2"
STEAM PRESSURE (KPA)	100-800	100-800	100-800
TRANSPORT DATA			
GROSS WEIGHT (KG)	270 (335 with 200G)	290 (355 with 200G)	305 (385 with 200G)
NET WEIGHT (KG)	255 (315 with 200G)	275 (330 with 200G)	290 (335 with 200G)
PACKING DIMENSIONS HXWXD (MM)	1550 x 925 x 970	1550 x 925 x 1130	1550 x 925 x 1190

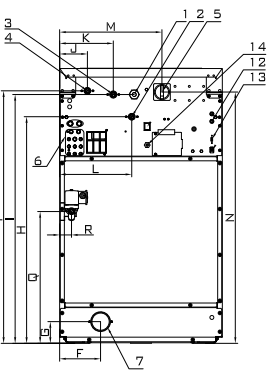
	A	B	C	D	E	F	G	H	I	J	K	L	M	N	O	P	Q	S
IA180	890	915	1410	815	465	280	130	1212	1297	113	218	303	625	1270	1317	528	54	120
IA240	890	1060	1410	960	465	280	130	1212	1297	113	218	303	625	1270	1317	528	54	120
IA280	890	1135	1410	1035	465	280	130	1212	1297	113	218	303	625	1270	1317	528	54	120
	width	depth	height															



FRONT



SIDE



BACK

- 1 Electrical connection
- 2 Hot water
- 3 Cold water hard
- 4 Cold water soft
- 5 Main switch
- 6 Liquid soap connection
- 7 Drain
- 8 Soap dispenser
- 9 Control panel
- 10 Button CENTRALSTOP
- 11 Door opening Ø 460 mm
- 12 Fuses
- 13 USB port
- 14 Electrical connection to liquid soap pumps